

# IES-0008A (IP67/IP54)

## 8 10/100TX IP67/IP54 rated EN50155 Unmanaged Ethernet Switch

- EN50155 verification / E-mark certified
- Provides M12 connector with IP67 or IP54 rated protection
- Wide Operating Temperature from -40°C to 75°C
- Wide range dual power inputs 12~90VDC



IP67 Rated



IP54 Rated



### OVERVIEW

Lantech IES-0008A (IP67/IP54) is an 8 10/100 Base-TX with M12-connector unmanaged industrial Ethernet switch for IP67 or IP54 rated protection, which meets the high reliability requirements demanded by industrial rolling stock applications.

The IES-0008A (IP67/IP54) is designed to meet with critical network environment with IP67/54 enclosure and M12 connectors for protection against dust and water. IP67 model can be immersed 1 meter under water for 30 minutes long, so it is the best to place in the highly damp and moisture area in the train, vehicle or rail-side. Both have passed harsh

environmental testing to comply with Industrial EMI and Safety standards as well as stability testing such as Free fall, Shock, and Vibration. For a greater flexibility in application the IES-0008A (IP67/IP54) supports an extended operating temperature range from -40°C to 75°C.

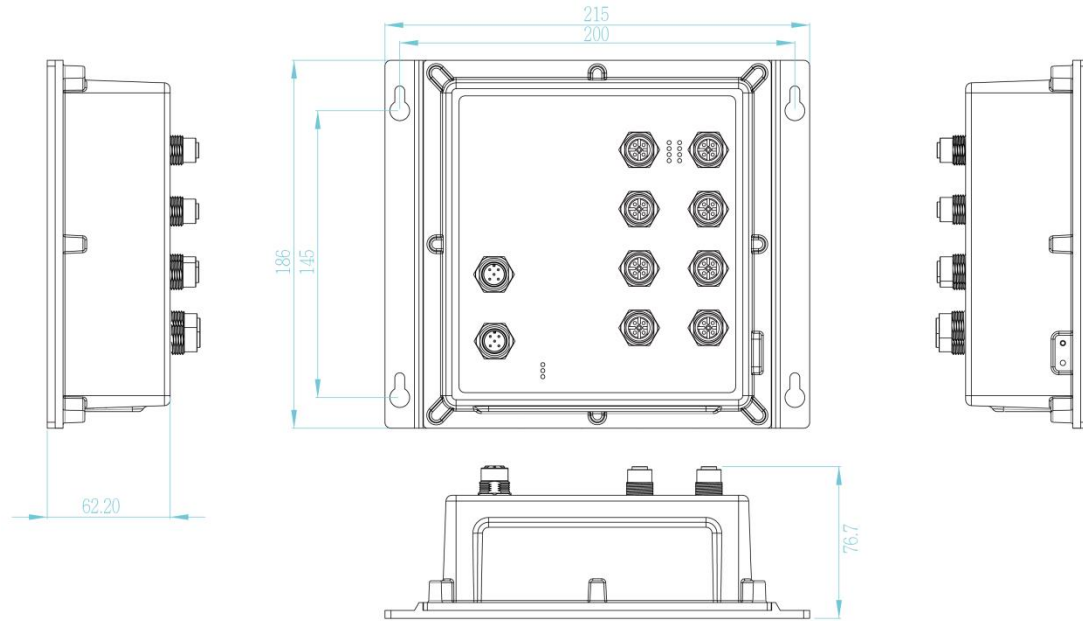
The wide range dual power input from 12V~72V fits with most of train/vehicle usage. With EN45545-2 Fire & Smoke, EN50155 verification and E-mark certification, the IES-0008A (IP67/IP54) is best for railway and vehicle applications.

### FEATURES & BENEFITS

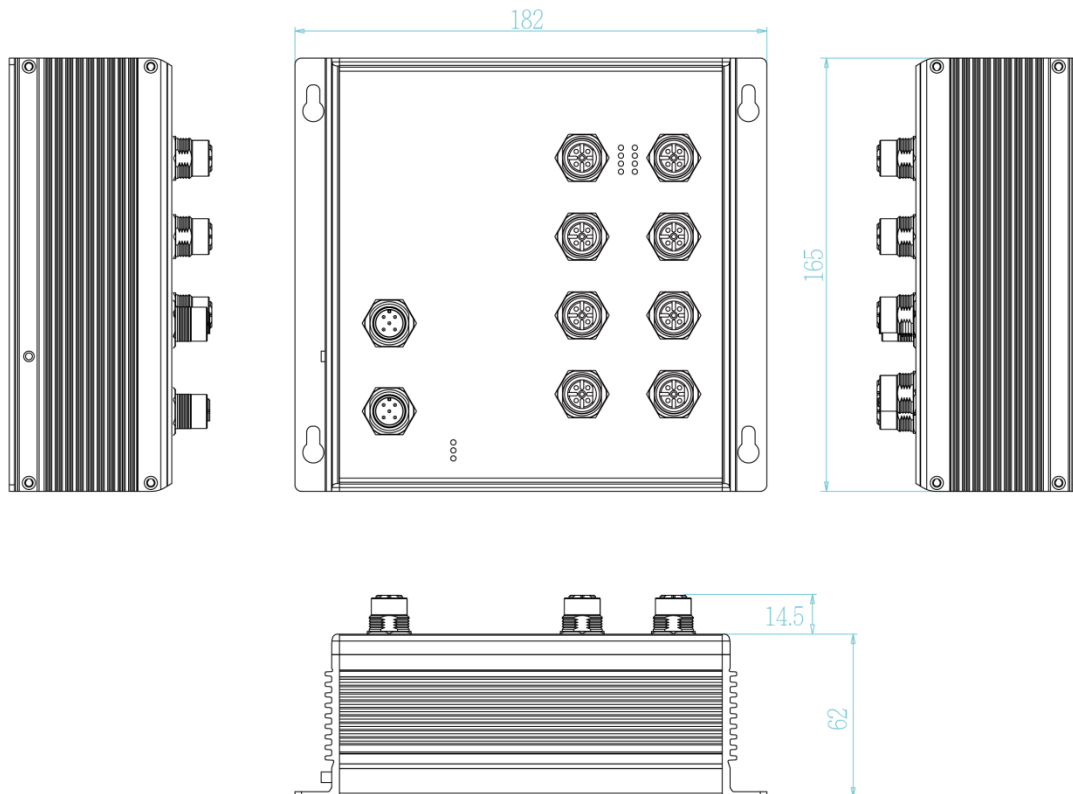
- 8 10/100TX Unmanaged Industrial Ethernet Switch with M12 connectors and IP67/IP54 rated protection
- Dual Power Design with wide DC12V~90V input
- Back-plane (Switching Fabric): 1.6 Gbps
- 8K MAC address table
- Wide Operating Temperature (-40°C ~75°C)
- Din rail\*\* and wall mount design
- EN45545-2 Fire & Smoke, EN50155 and EN61373 shock/vibration verification
- E-mark certified

**DIMENSIONS (unit=mm)**

**IP67 model**



**IP54 model**



## SPECIFICATIONS

Hardware Specification	
IEEE Standard	IEEE802.3 10BASE-T Ethernet IEEE802.3u 100BASE-T Ethernet IEEE802.3x Flow Control and Back Pressure
Transfer Rate	14,880pps for Ethernet port 148,800pps for Fast Ethernet port
Mac Address	8K MAC address table
Connector	10/100T: 8 x M12, 4-pole D-coded, Female with auto MDI/MDI-X function Power connector: 1 x M12, 5-pole A-coded, Male
LED	Per unit: Power 1 (Green), Power 2 (Green), Ethernet: Link/Activity (Green)
Power Supply	Dual power inputs DC 12V ~90V
Power Consumption	10Watts
Operating Humidity	5% to 95% (Non-condensing)
Operating Temperature	-40°C ~ 75°C (-40°F ~ 167°F)
Storage Temperature	-40°C ~ 85°C (-40°F ~ 185°F)
Case Dimension	Aluminum case. IP-67,
	215mm(W)x186mm(H)x76.7mm(D) Aluminum case, IP-54 182mm(W)x165mm(H)x76.5mm(D)
Weight	IP67: 1.4kgs ; IP54: 1.1kgs
Installation	Din Rail**, Wall Mount Design
EMC	FCC Class A, CE EN61000-4-2 (ESD), CE EN61000-4-3 (RS), CE EN-61000-4-4 (EFT), CE EN61000-4-5 (Surge), CE EN61000-4-6 (CS), CE EN61000-4-8 (Magnetic Field), CE EN55022 Class A, CE EN55024
Stability Testing	EN61373 (Shock and Vibration)
Certificates & Report	EN50155/EN50121-3-2/EN50121-4 verification EN45545-2 R13/R22/R23/R24/R25 (EN ISO 4589-2, EN ISO 5659-2, NF X70-100-1 & 2) Fire & Smoke verification E-Mark E4 Certificate
Warranty	5 years

\*Pending  
\*\*Optional

## ORDERING INFORMATION

All model packages include M12 caps and wall mount bracket. All standard models are non-coating, optional coating models are available with -C model name.

- **IES-0008A-67.....P/N: 8360-552**  
8 10/100TX EN50155 M12 IP67 L2+ Unmanaged Ethernet Switch; dual 12~90V input; -40~75C
- **IES-0008A-54.....P/N: 8360-5521**  
8 10/100TX EN50155 M12 IP54 L2+ Unmanaged Ethernet Switch; dual 12~90V input; -40~75C

## OPTIONAL ACCESSORIES

### M23 / M12 Connector & Cable

- **ECONM12-05A(F)-C-180** M12 5Pin (Female) A-coded 180 Degree Crimp Type Connector
- **ECONM12-5P(F)70CM CABLE** 5 Pin M12 Power Female 90C angle Connector+ 70 CM Cable
- **ECAB124030MJS** 4 Pin M12 RJ45 Male 3 Meters; STP Cable

### Lantech Communications Global Inc.

www.lantechcom.tw  
info@lantechcom.tw

© 2019 Copyright Lantech Communications Global Inc. all rights reserved.  
The revise authority rights of product specifications belong to Lantech Communications Global Inc.  
Lantech may make changes to specification and product descriptions at anytime, without notice.