

IPES-0008A (IP67/IP54)

8 10/100TX EN50155 PoE at/af Unmanaged Ethernet Switch

- EN50155/50121-3-2/50121-4 verification
- Provides M12 connector with IP67 / IP54 rated protection
- IEEE802.3at/af up to 30W PoE output
- 12V power input boost to 54V output
- Optional 72V input steps down to 54V output for IEEE 802.3at/af max.80W
- Wide Operating Temperature from -40°C to 75°C
- Wide range redundant power inputs



IP67 model



IP54 model



OVERVIEW

Lantech IPES-0008A (IP67/IP54) is an 8 10/100 Base-TX with M12-connector EN50155 unmanaged Ethernet switch for IP67 or IP54 rated protection, which meets the high reliability requirements demanded by industrial rolling stock applications.

The IPES-0008A (IP67/IP54) supports IEEE802.3at/af standard which can feed HI-power up to 30W at each PoE port for big power consumption devices like PTZ IP camera, High power wireless AP etc. The IPES-0008A-12V is able to take 12/24V input and boost to 54V output for PoE feeding in vehicle use with IEEE802.3at/af standard up to 30W per PoE port with maximum 80W output. 72V/110V input model can feed 54V PoE at max 80W.

The IPES-0008A (IP67/IP54) is designed to meet with critical

network environment with IP67/IP54 enclosure and M12 connectors for protection against dust and water. IP67 model can be immersed 1 meter under water for 30 minutes long, so it is the best to place in the highly damp and moisture area in the train, vehicle or rail-side. Both have passed harsh environmental testing to comply with Industrial EMI and Safety standards as well as stability testing such as Free fall, Shock, and Vibration. For a greater flexibility in application the IPES-0008A (IP67/IP54) supports an extended operating temperature range from -40°C to 75°C.

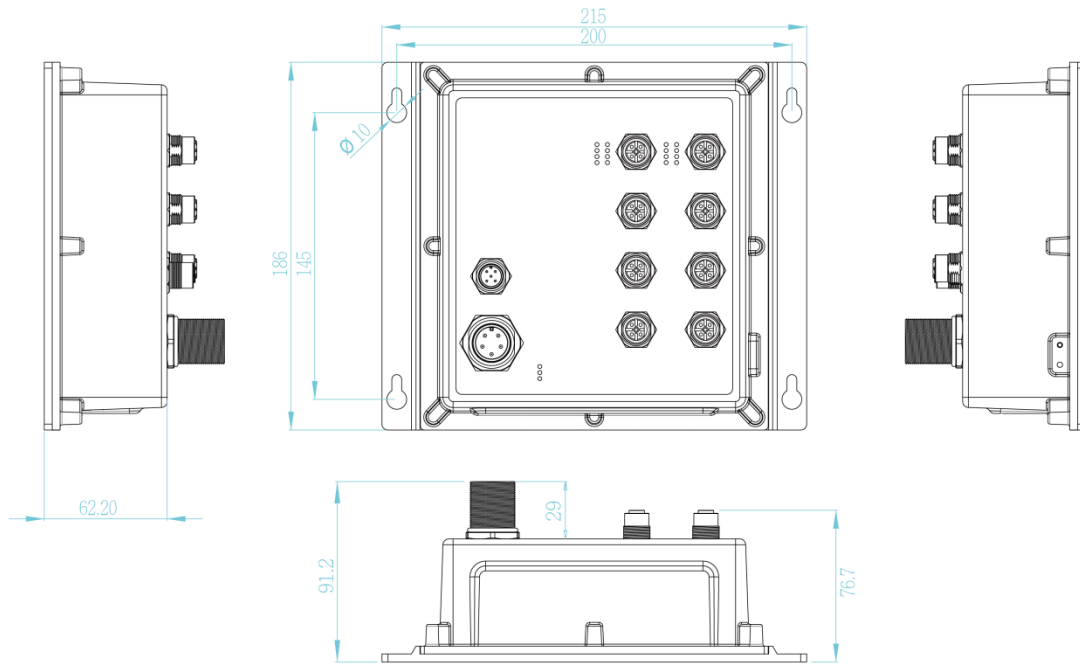
The IPES-0008A (IP67/IP54) is compliant with EN50155/50121-3-2/ 50121-4 (railway applications), Fire&Smoke and E-Mark, making the switch suitable for various industrial rolling stock applications.

FEATURES & BENEFITS

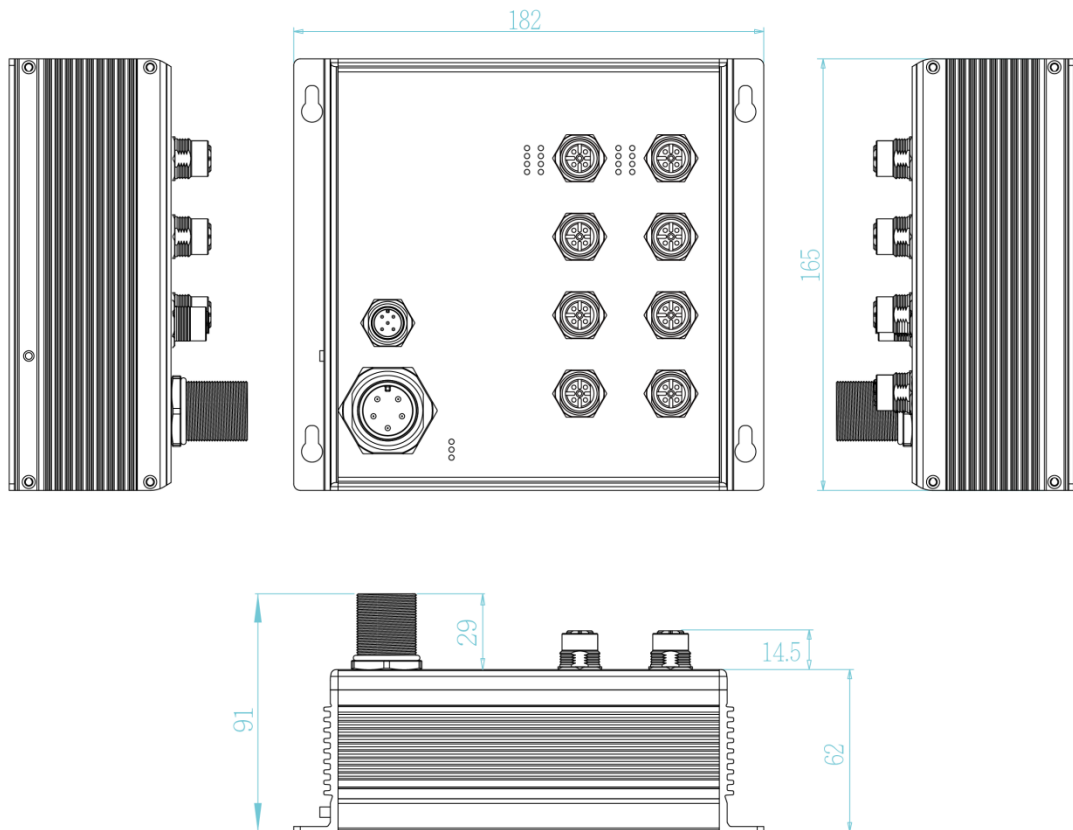
- 8 10/100TX EN50155 Unmanaged Ethernet Switch with M12 connectors and IP67/IP54 rated protection
- Supports IEEE802.3at/af feeding power up to 30W per PoE port at 12/24/48VDC
- Accept input voltage 12V and boost to 54V for PoE 802.3at/af maximum 80W output
- Redundant Power Design with wide DC12/24/48V
- Back-plane (Switching Fabric): 1.6 Gbps
- 8K MAC address table
- Wide Operating Temperature (-40°C ~75°C)
- Din rail** and wall mount design
- EN50155/50121-3-2/50121-4 and Fire&Smoke verification (EN45545)
- E-Mark certified
- Optional 72V model can accept dual 72V power input and feed 54V for PoE at/af at max 80W
- Optional 110V model can accept dual 110V power input and feed 54V for PoE at/af at max 80W

DIMENSIONS (unit=mm)

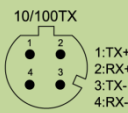
IP67 model



IP54 model



SPECIFICATIONS

Hardware Specification			
IEEE Standard	IEEE802.3 10BASE-T Ethernet IEEE802.3u 100BASE-T Ethernet IEEE802.3x Flow Control and Back Pressure IEEE802.3at/af Power over Ethernet		80W for 12V input 80W for 24V input 80W for 72V Input 80W for 110V Input
Transfer Rate	14,880pps for Ethernet port 148,800pps for Fast Ethernet port	Operating Humidity	5% to 95% (Non-condensing)
Mac Address	8K MAC address table	Operating Temperature	-40°C ~ 75°C (-40°F ~ 167°F)
Connector	10/100T: 8 x M12, 4-pole D-coded, Female with auto MDI/MDI-X function Power connector: 1 x M23, 5-pole A-coded, Male Relay contact : 1 x M12 5-pole A-coded	Storage Temperature	-40°C ~ 85°C (-40°F ~ 185°F)
LED	Per unit: Power 1 (Green), Power 2 (Green), Ethernet: Link/Activity (Green)	Case Dimension	Aluminum case, IP-67, 215mm(W)x186mm(H)x91.2mm(D) Aluminum case, IP-54 182mm(W)x165mm(H)x91mm(D)
PoE pin assignment	M12 port # 1~ # 8 support IEEE 802.3at/af End-point. Per port provides up to 30W 	Weight	IP67:1.4kgs ; IP54:1.1kgs
Power Supply	9.5~60VDC for 12V model -48VDC is available for single power input 50.4V~90VDC for 72V model 43V~137.5VDC for 110V model with input isolation	Installation	Din Rail**, Wall Mount Design
Power Consumption	10W for 12/24/48VDC 13.5W for 72V/110V	EMC	FCC Class A, CE EN61000-4-2 (ESD), CE EN61000-4-3 (RS), CE EN-61000-4-4 (EFT), CE EN61000-4-5 (Surge), CE EN61000-4-6 (CS), CE EN61000-4-8 (Magnetic Field), CE EN55022 Class A, CE EN55024
Power Budget	240W for 802.3at 54V input (54V input is recommended for PTZ or heater applications) 120W for 802.3af 48V input	Stability Testing	EN61373 (Shock and Vibration)
		Verifications & reports	EN50155/EN50121-3-2/EN50121-4 verification EN45545-2 R13/R22/R23/R24/R25 (EN ISO 4589-2, EN ISO 5659-2, NF X70-100-1 & 2) Fire & Smoke verification
		Warranty	5 years

*Pending
**Optional

ORDERING INFORMATION

All model packages include M12 caps and wall mount bracket. All standard models are non-coating, optional coating models are available with -C model name.

- **IPES-0008A-12V-67.....P/N: 8360-553**
8 10/100TX EN50155 M12 IP67 L2+ PoE Unmanaged Ethernet Switch; -40~75C; 9.5~60VDC dual input
- **IPES-0008A-12V-54.....P/N: 8360-5532**
8 10/100TX EN50155 M12 IP54 L2+ PoE Unmanaged Ethernet Switch; -40~75C; 9.5~60VDC dual input
- **IPES-0008A-72V-67.....P/N: 8360-554**
8 10/100TX EN50155 M12 IP67 L2+ PoE Unmanaged Ethernet Switch; -40~60C; 50.45~90VDC dual input
- **IPES-0008A-72V-54.....P/N: 8360-5541**
8 10/100TX EN50155 M12 IP54 L2+ PoE Unmanaged Ethernet Switch; -40~60C; 50.45~90VDC dual input
- **IPES-0008A-110V-67.....P/N: 8360-560**
8 10/100TX EN50155 M12 IP67 L2+ PoE Unmanaged Ethernet Switch; -40~60C; 43~137.5VDC dual input
- **IPES-0008A-110V-54.....P/N: 8360-5601**
8 10/100TX EN50155 M12 IP54 L2+ PoE Unmanaged Ethernet Switch; -40~60C; 43~137.5VDC dual input

OPTIONAL ACCESSORIES

M12 Connector / Cable

- **ECONM23-5P(F)70CM CABLE** M23 power cable 90 degree angle, 70cm, 5 pin, Made in Taiwan
- **ECONM23-5P(F)70CM CABLE-C** M23 power cable 90 degree angle, 70cm, 5 pin, Made in China
- **ECAB124030MJS** 4 Pin M12 RJ45 Male 3 Meters; STP Cable

Lantech Communications Global Inc.

www.lantechcom.tw
info@lantechcom.tw

© 2019 Copyright Lantech Communications Global Inc. all rights reserved.
The revise authority rights of product specifications belong to Lantech Communications Global Inc.
Lantech may make changes to specification and product descriptions at anytime, without notice.