

IPES-0101T (IP54/IP41)

Industrial 10/100TX Switch with PoE 802.3at/af up to 30W

- EN50155/50121-3-2/50121-4 and EN45545-2 Fire & Smoke verification
- Provides M12 connector with IP54/IP41 rated protection
- IEEE802.3at/af up to 30W PoE output
- 12V power input can boost up to 54V output (12V model)
- 72V power input can step down to 54V output (72V model)
- Extends Power over Ethernet installations beyond 100 Meters
- Wide Operating Temperature from -40°C to 75°C
- Wide range redundant power inputs



OVERVIEW

Lantech IPES-0101T (IP54/IP41) is a 1 10/100 Base-TX + 1 10/100 Base-TX PoE switch with M12-connector for IP54/IP41 rated protection, which meets the high reliability requirements demanded by industrial rolling stock applications.

The IPES-0101T (IP54/IP41) supports IEEE802.3at/af standard which can feed HI-power up to 30W for big power consumption devices like PTZ IP camera, High power wireless AP etc. The IPES-0101T is able to take 12V input and boost to 54V output for PoE feeding in vehicle use with IEEE802.3at/af standard up to 30W per PoE port. 72V model accepts 72V input and can step down to 54V with IEEE802.3at/af standard up to 30W per PoE port.

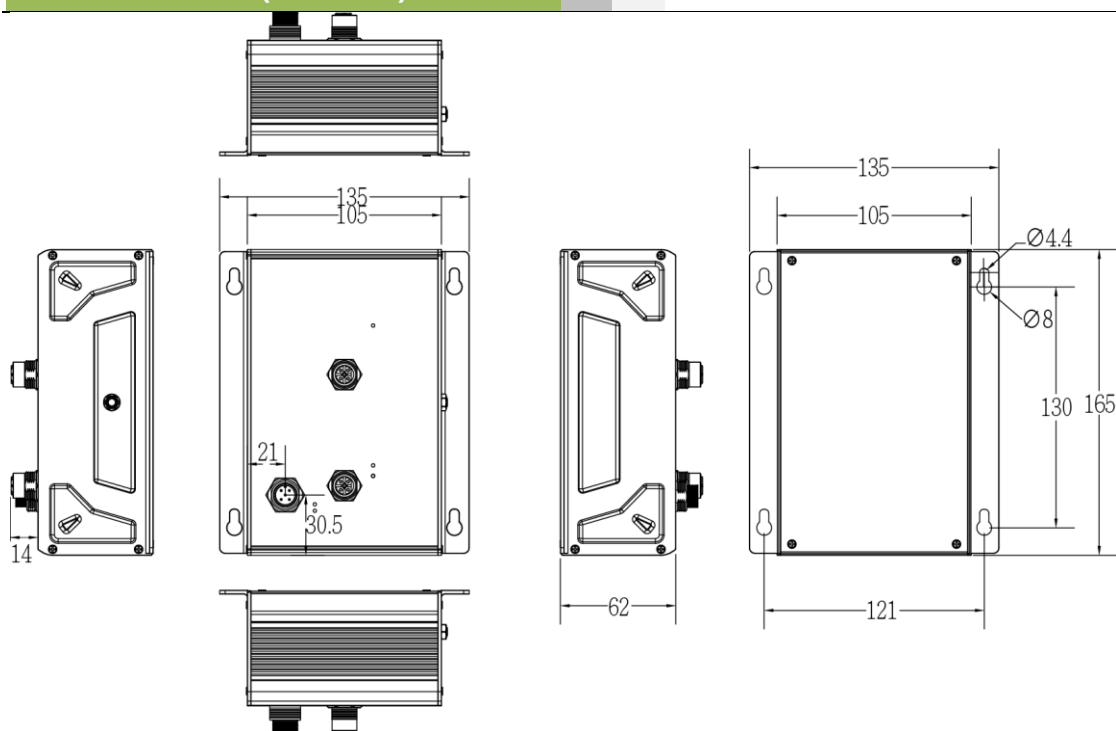
The IPES-0101T (IP54/IP41) is designed to meet with critical network environment with IP54/IP41 enclosure and M12 connectors for protection against dust and water. It has passed harsh environmental testing to comply with Industrial EMI and Safety standards as well as stability testing such as Free fall, Shock, and Vibration. For a greater flexibility in application the IPES-0101T (IP54/IP41) supports an extended operating temperature range from -40°C to 75°C.

The IPES-0101T (IP54/IP41) is compliant with EN50155/50121-3-2/ 50121-4 verification (railway applications), EN45545-2 R24/R25 Fire & Smoke verification for making the switch suitable for various industrial rolling stock applications.

FEATURES & BENEFITS

- | | |
|---|---|
| ■ 1 10/100TX + 1 10/100TX PoE Switch with M12 connectors and IP54/IP41 rated protection | (72V model) |
| ■ Accept input voltage 9.5V ~57VDC for PoE 802.3at/af (12V model) | ■ Can extend Power over Ethernet installations beyond 100 Meters |
| ■ Accept input voltage 33.6~60VDC for PoE 802.3at/af (48V model) | ■ Wide Operating Temperature (-40°C ~75°C) |
| ■ Accept input voltage 50.4V~90VDC for PoE 802.3at/af | ■ Din rail** and wall mount design |
| | ■ EN50155/50121-3-2/50121-4 and EN45545-2 Fire & Smoke verification |

DIMENSIONS (unit=mm)



SPECIFICATIONS

Hardware Specification		Consumption	13.5W for 72V
IEEE Standard	IEEE802.3 10BASE-T Ethernet IEEE802.3u 100BASE-T Ethernet IEEE802.3x Flow Control and Back Pressure IEEE802.3at/af Power over Ethernet	Power Budget	30W
Transfer Rate	14,880pps for Ethernet port 148,800pps for Fast Ethernet port	Operating Humidity	5% to 95% (Non-condensing)
Mac Address	8K MAC address table	Operating Temperature	-40°C ~ 75°C (-40°F ~ 167°F)
Connector	10/100T: 2 x M12, 4-pole D-coded, Female with auto MDI/MDI-X function Power connector: 1 x M12, 5-pole A-coded, Male	Storage Temperature	-40°C ~ 85°C (-40°F ~ 185°F)
Protocol	CSMA/CD	Case Dimension	Aluminum case, IP-41/IP54 135mm(W)x165mm(H)x62mm(D)
LED	Per unit: Power 1 (Green), Power 2 (Green), Ethernet: Link/Activity (Green)	Weight	700g
PoE pin assignment	M12 Data in/out : Pin 1,2,3,4 M12 Power out : Pin 1,3(V+), 2,4(V-)	Installation	Wall Mount Design
		EMC	FCC Class A, EN55032 Class A, EN55024 , CE EN55011 CE EN61000-4-2 (ESD) Level 3 CE EN61000-4-3 (RS) Level 3 CE EN-61000-4-4 (EFT) Level 3 CE EN61000-4-5 (Surge) Level 3 CE EN61000-4-6 (CS) Level 3 CE EN61000-4-8 (Magnetic Field) Level 3
Power Supply	Dual input 9.5~57VDC for PoE feeding (12V model) 33.6~60VDC for PoE feeding (48V model) 50.4~90VDC for PoE feeding (72V model)	Stability Testing	EN61373 (Shock and Vibration)
Power	10W for 12/24/48VDC	Verifications & Report	EN50155/EN50121-3-2/EN50121-4 verification EN45545-2 R13/R22/R23/R24/R25 (EN ISO 4589-2, EN ISO 5659-2, NF X70-100-1 & 2) Fire & Smoke verification
		MTBF	1,145,207 hours
		Warranty	5 years

**Optional

ORDERING INFORMATION

All model packages include M12 caps and wall mount bracket. All standard models are non-coating, optional coating models are available with -C model name.

- **IPES-0101T-41-12V.....P/N: 8360-5741**
1 10/100TX + 1 10/100TX IP41 rated Industrial PoE at/af Switch w/M12 connector; -40~75C; 9.5V~57VDC dual input
- **IPES-0101T-41-48V.....P/N: 8360-5745**
1 10/100TX + 1 10/100TX IP41 rated Industrial PoE at/af Switch w/M12 connector; -40~75C; 33.6V~60VDC dual input
- **IPES-0101T-41-72V.....P/N: 8360-5742**
1 10/100TX + 1 10/100TX IP41 rated Industrial PoE at/af Switch w/M12 connector; -40~75C; 50.4~90VDC dual input
- **IPES-0101T-54-12V.....P/N: 8360-5743**
1 10/100TX + 1 10/100TX IP54 rated Industrial PoE at/af Switch w/M12 connector; -40~75C; 9.6V~57VDC dual input
- **IPES-0101T-54-48V.....P/N: 8360-5746**
1 10/100TX + 1 10/100TX IP54 rated Industrial PoE at/af Switch w/M12 connector; -40~75C; 33.6V~60VDC dual input
- **IPES-0101T-54-72V.....P/N: 8360-5744**
1 10/100TX + 1 10/100TX IP54 rated Industrial PoE at/af Switch w/M12 connector; -40~75C; 50.4~90VDC dual input

OPTIONAL ACCESSORIES

M12 Connector & Cable

- **ECON120005PF** 5 Pin M12 Power Female Connector
- **ECONM12-5P(F)70CM CABLE** 5 Pin M12 Power Female 90C angle Connector+ 70 CM Cable
- **ECAB124030MJS** 4 Pin M12 RJ45 Male 3 Meters; STP Cable

Lantech Communications Global Inc.

www.lantechcom.tw
info@lantechcom.tw

© 2019 Copyright Lantech Communications Global Inc. all rights reserved.
The revise authority rights of product specifications belong to Lantech Communications Global Inc.
Lantech may make changes to specification and product descriptions at anytime, without notice.