

Lantech

IMR-3002

**Industrial Multifunction VPN Router w/ up to 2 LTE 4G + 2 serial
ports + 2 Gigabit Ethernet Switch**

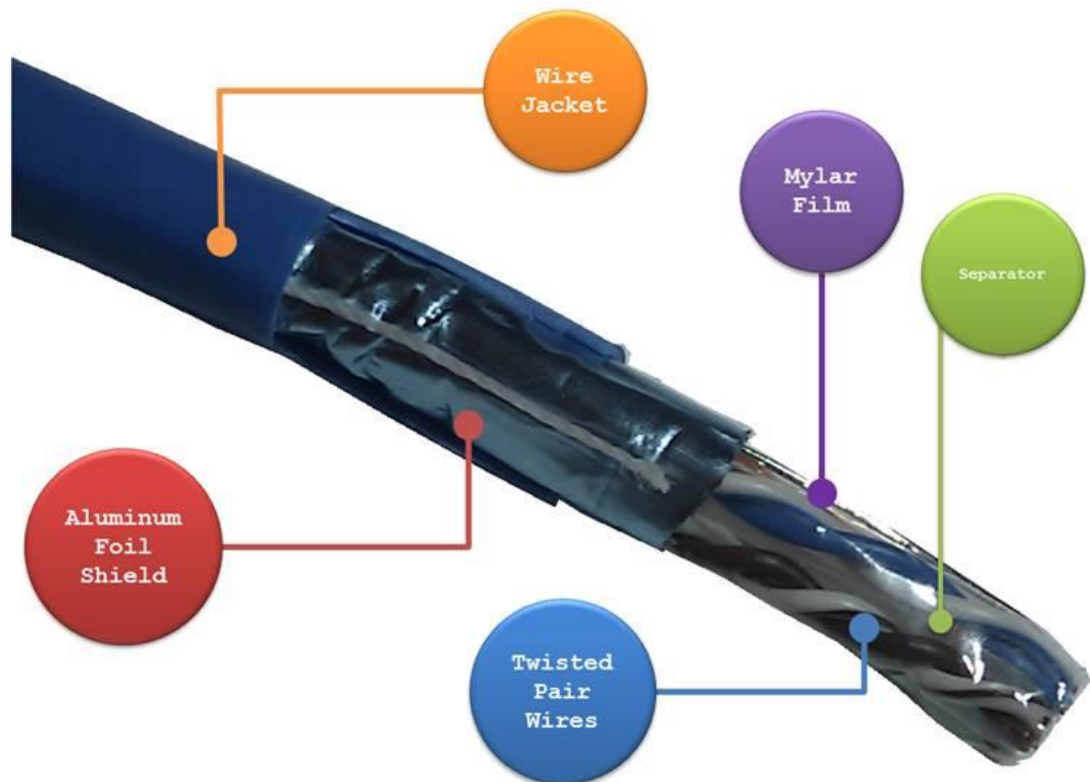
User Manual (Hardware)



Apr. 2020

Recommendation for Shielded network cables

STP cables have additional shielding material that is used to reduce external interference. The shield also reduces the emission at any point in the path of the cable. Our recommendation is to deploy an STP network cable in demanding electrical environments. Examples of demanding indoor environments are where the network cable is located in parallel with electrical mains supply cables or where large inductive loads such as motors or contactors are in close vicinity to the camera or its cable. It is also mandatory to use an STP cable where the power device (like IP camera) is used outdoors or where the network cable is routed outdoors.



Important Notice

Lantech Communications Global, Inc. reserves the right to modify the equipment, its specification or this manual without prior notice, in the interest of improving performance, reliability, or servicing. At the time of publication all data is correct for the operation of the equipment at the voltage and/or temperature referred to. Performance data indicates typical values related to the particular product.

No part of this documentation or information supplied may be divulged to any third party without the express written consent of Lantech Communications Global Inc. Products offered may contain software which is proprietary to Lantech Communications Global Inc. The offer or supply of these products and services does not include or infer any transfer of ownership.

Interference Issues

This Equipment has been tested and found to comply with the limits for a Class A digital device, pursuant to Part 15 of the FCC rules. These limits are designed to provide reasonable protection against harmful interference in a commercial or industrial installation. This equipment generates, uses, and can radiate radio frequency energy. It may cause harmful interference to radio communications if the equipment is not installed and used in accordance with the instructions.

FCC Warning

This Equipment has been tested and found to comply with the limits for a Class-A digital device, pursuant to Part 15 of the FCC rules. These limits are designed to provide reasonable protection against harmful interference in a residential installation. This equipment generates, uses, and can radiate radio frequency energy. It may cause harmful interference to radio communications if the equipment is not installed and used in accordance with the instructions. However, there is no guarantee that interference will not occur in a particular installation. If this equipment does cause harmful interference to radio or television reception, which can be determined by turning the equipment off and on, the user is encouraged to try to correct the interference by one or more of the following measures:

- Reorient or relocate the receiving antenna.
- Increase the separation between the equipment and receiver.
- Connect the equipment into an outlet on a circuit different from that to which the receiver is connected.
- Consult the dealer or an experienced radio/TV technician for help.

CE Mark Warning

This is a Class-A product. In a domestic environment this product may cause radio interference in which case the user may be required to take adequate measures.

Content

1.	Hardware Description.....	2
1.1.	Physical Dimension.....	2
1.2.	IP Protection	3
1.3.	Front Panel	6
1.4.	LED Indicators	7
2.	Hardware Installation	8
2.1.	Hardware installation.....	8
2.2.	DIN-Rail Mounting.....	8
2.3.	Wall Mount Plate Mounting	10
2.4.	Wiring the Power Inputs	12
2.5.	Wiring the Fault Alarm Contact.....	13
2.6.	Cabling	14
2.7.	SIM	14
2.8.	Serial Ports.....	16
3.	Console Management.....	17
3.1.	Connecting to the Console Port.....	17
3.2.	Login in the Console Interface.....	18

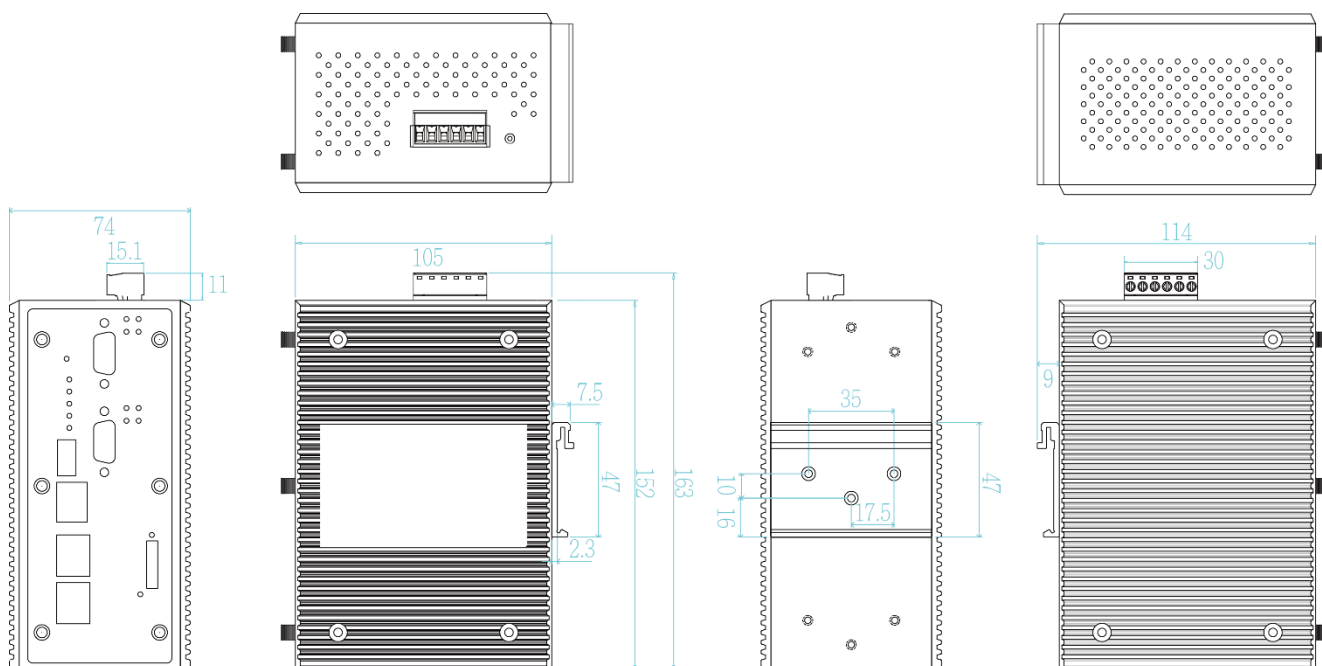
1. Hardware Description

Lantech IMR-3002 series is a next generation industrial multi-function VPN router.

In this paragraph, it will describe the Industrial multi-function VPN router's hardware spec, port, cabling information, and wiring installation.

1.1. Physical Dimension

Metal case. IP-30, 74(W) x 112 (D) x 152 (H) mm



1.2. IP Protection

The **IP Code**, **Ingress Protection Rating**, sometimes also interpreted as **International Protection Rating**, classifies and rates the degree of protection provided against the intrusion (including body parts such as hands and fingers), dust, accidental contact, and water in *mechanical casings* and with electrical enclosures. It is published by the International Electrotechnical Commission (IEC)

Solid particle protection

The first digit indicates the level of protection that the enclosure provides against access to hazardous parts (e.g., electrical conductors, moving parts) and the ingress of solid foreign objects.

Level	Object size protected against	Effective against
0	—	No protection against contact and ingress of objects
1	>50 mm	Any large surface of the body, such as the back of a hand, but no protection against deliberate contact with a body part
2	>12.5 mm	Fingers or similar objects
3	>2.5 mm	Tools, thick wires, etc.
4	>1 mm	Most wires, screws, etc.
5	Dust protected	Ingress of dust is not entirely prevented, but it must not enter in sufficient quantity to interfere with the satisfactory operation of the equipment; complete protection against contact
6	Dust tight	No ingress of dust; complete protection against contact

Liquid ingress protection

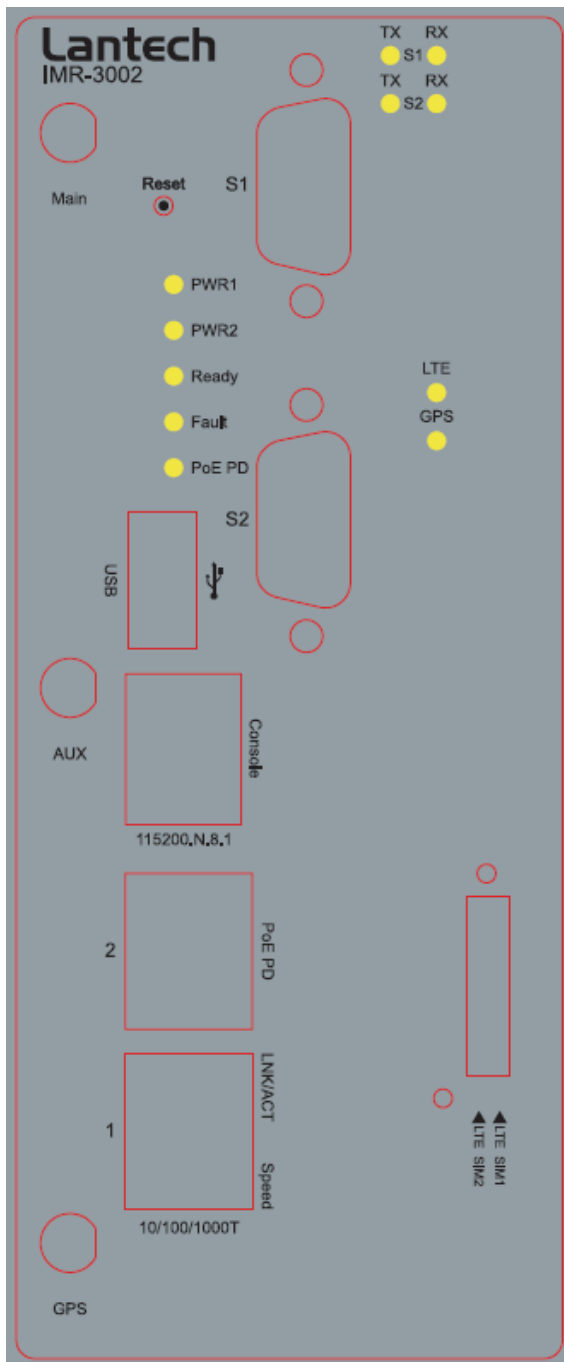
The second digit indicates the level of protection that the enclosure provides against harmful ingress of water.

Level	Protected against	Testing for	Details
0	Not protected	—	—
1	Dripping water	Dripping water (vertically falling drops) shall have no harmful effect.	Test duration: 10 minutes Water equivalent to 1 mm rainfall per minute
2	Dripping water when tilted up to 15°	Vertically dripping water shall have no harmful effect when the enclosure is tilted at an angle up to 15° from its normal position.	Test duration: 10 minutes Water equivalent to 3 mm rainfall per minute
3	Spraying water	Water falling as a spray at any angle up to 60° from the vertical shall have no harmful effect.	Test duration: 5 minutes Water volume: 0.7 litres per minute Pressure: 80–100 kPa
4	Splashing of water	Water splashing against the enclosure from any direction shall have no harmful effect.	Test duration: 5 minutes Water volume: 10 litres per minute Pressure: 80–100 kPa
5	Water jets	Water projected by a nozzle (6.3 mm) against enclosure from any direction shall have no harmful effects.	Test duration: at least 15 minutes Water volume: 12.5 litres per minute Pressure: 30 kPa at

			distance of 3 m
6	Powerful water jets	Water projected in powerful jets (12.5 mm nozzle) against the enclosure from any direction shall have no harmful effects.	Test duration: at least 3 minutes Water volume: 100 litres per minute Pressure: 100 kPa at distance of 3 m
7	Immersion up to 1 m	Ingress of water in harmful quantity shall not be possible when the enclosure is immersed in water under defined conditions of pressure and time (up to 1 m of submersion).	Test duration: 30 minutes Immersion at depth of at least 1 m measured at bottom of device, and at least 15 cm measured at top of device
8	Immersion beyond 1 m	The equipment is suitable for continuous immersion in water under conditions which shall be specified by the manufacturer. Normally, this will mean that the equipment is hermetically sealed. However, with certain types of equipment, it can mean that water can enter but only in such a manner that it produces no harmful	Test duration: continuous immersion in water Depth specified by manufacturer

		effects.	
9	Powerful high temperature water jets	Protected against close-range high pressure, high temperature spray downs.	—

1.3. Front Panel



1.4. LED Indicators

The diagnostic LEDs that provide real-time information of system and optional status are located on the front panel of the industrial device. The following table provides the description of the LED status and their meanings for the device.

LED	Color	Status	Meaning
PWR1	Green	On	Power 1 is active
		Off	Power 1 is inactive
PWR2	Green	On	Power 2 is active
		Off	Power 2 is inactive
Fault	Red	On	Power or port failure
		Off	No failure
Ready	Green	On	Power is on and functioning normally.
P1 ~ P2 LNK/ACT	Green	On	A network device is detected.
		Blinking	The port is transmitting or receiving packets from the TX device.
		Off	No device attached
P1 ~ P2 Speed	Yellow	On	The port is operating in 1000T mode.
		Off	The port is operating in 10/100TX mode.

2. Hardware Installation

2.1. Hardware installation

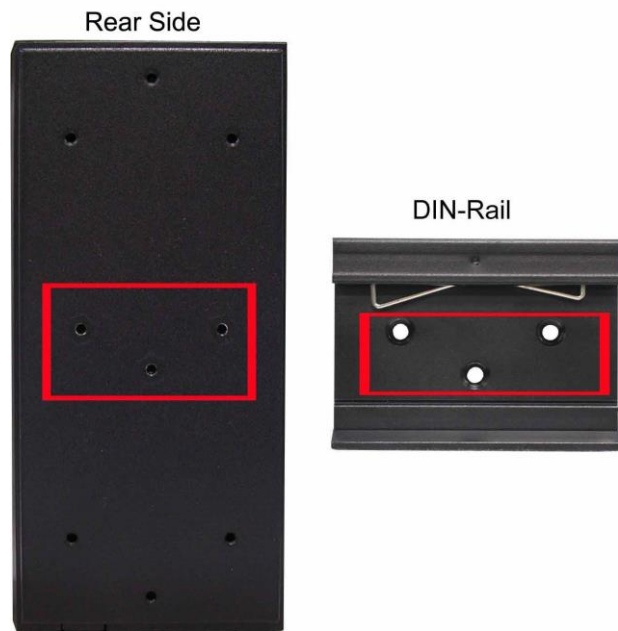
1. Unpack the device
2. Check if the DIN-Rail is screwed on the Industrial device or not. If the DIN-Rail is not screwed on the Industrial device, please refer to **DIN-Rail Mounting** section for DIN-Rail installation. If users want to wall mount the Industrial device, please refer to **Wall Mount Plate Mounting** section for wall mount plate installation. **NOTE: Wall mount kits are optional accessories.**
3. To hang the Industrial device on the DIN-Rail track or wall.
4. Power on the Industrial device. Please refer to the **Wiring the Power Inputs** section for knowing the information about how to wire the power. The power LED on the Industrial device will light up. Please refer to the **LED Indicators** section for indication of LED lights.
5. Prepare the twisted-pair, straight through Category 5 cable for Ethernet connection.
6. Insert one side of RJ-45 cable (category 5) into the Industrial device Ethernet port (RJ-45 port) and another side of RJ-45 cable (category 5) to the network device's Ethernet port (RJ-45 port), ex: Device PC or Server. The UTP port (RJ-45) LED on the Industrial device will light up when the cable is connected with the network device. Please refer to the **LED Indicators** section for LED light indication.

[NOTE] Make sure that the connected network devices support MDI/MDI-X. If it does not support, use the crossover category-5 cable.

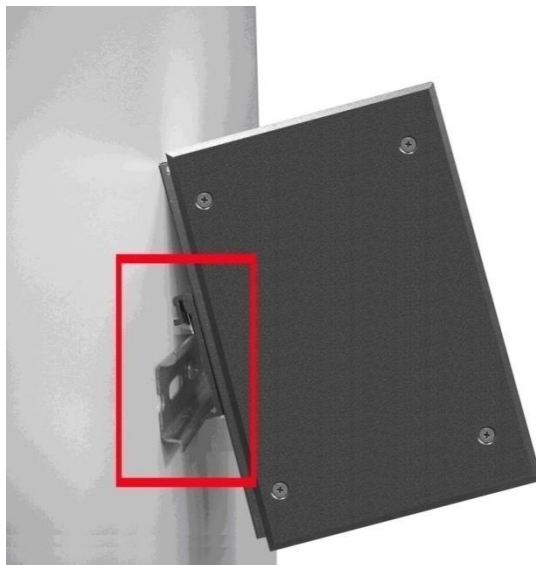
When all connections are set and LED lights all show in normal, the installation is complete.

2.2. DIN-Rail Mounting

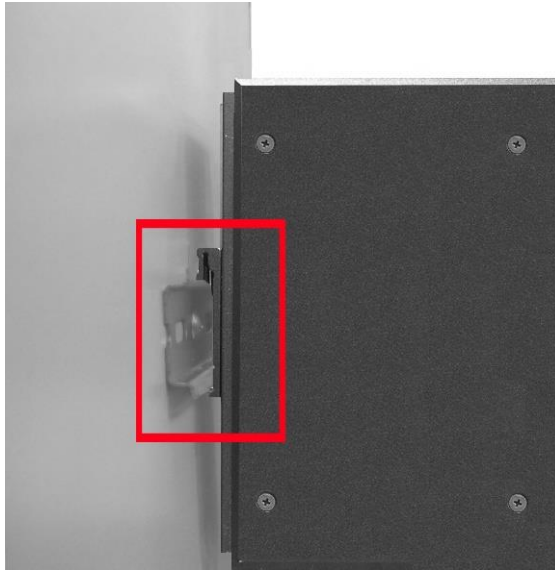
The DIN-Rail is screwed on the industrial device when out of factory. If the DIN-Rail is not screwed on the industrial device, please see the following pictures to screw the DIN-Rail on the device. Follow the steps below to hang the industrial device.



First, insert the top of DIN-Rail into the track.



Then, lightly push the DIN-Rail into the track.



Check if the DIN-Rail is tightened on the track or not.

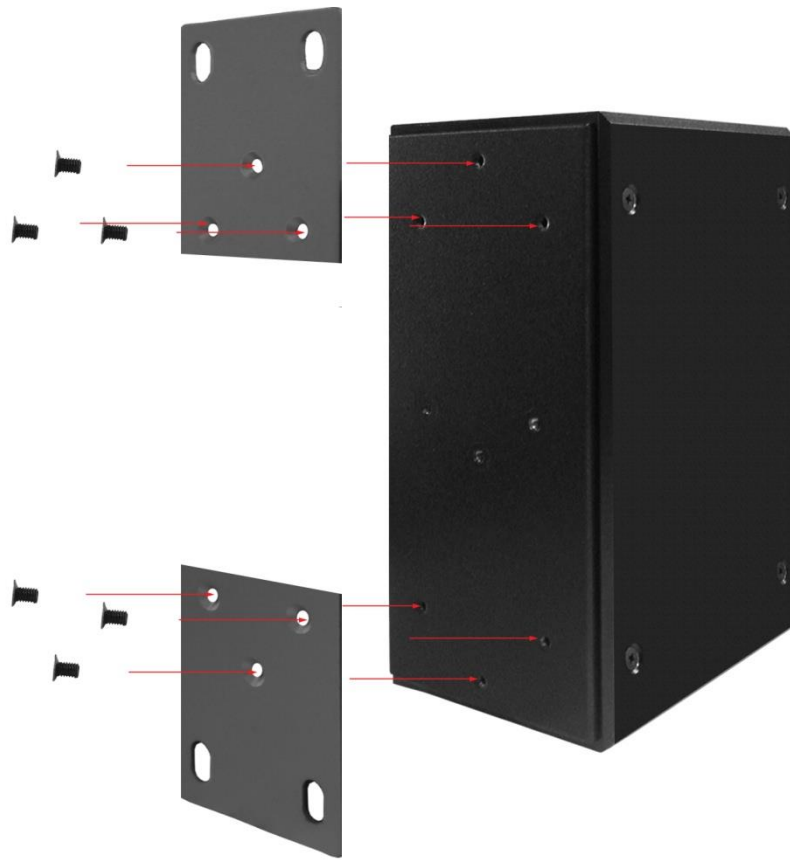
To remove the industrial device from the track, reverse above steps.

2.3.Wall Mount Plate Mounting

Follow the steps below to mount the industrial device with wall mount plate.

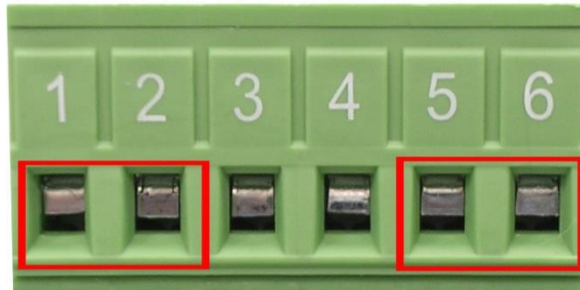
1. Remove the DIN-Rail from the industrial device; loose the screws to remove the DIN-Rail.
2. Place the wall mount plate on the rear panel of the industrial device.
3. Use the screws to screw the wall mount plate on the industrial device.
4. Use the hook holes at the corners of the wall mount plate to hang the industrial device on the wall.
5. To remove the wall mount plate, reverse the above steps.

NOTE : Wall mount kits are optional accessories



2.4. Wiring the Power Inputs

Please follow the steps below to insert the power wire.



1. Insert AC or DC power wires into the contacts 1 and 2 for power 1, or 5 and 6 for power.



2. Tighten the wire-clamp screws for preventing the wires from loosening.

[NOTE] The wire gauge for the terminal block should be in the range between 12 ~ 24 AWG.

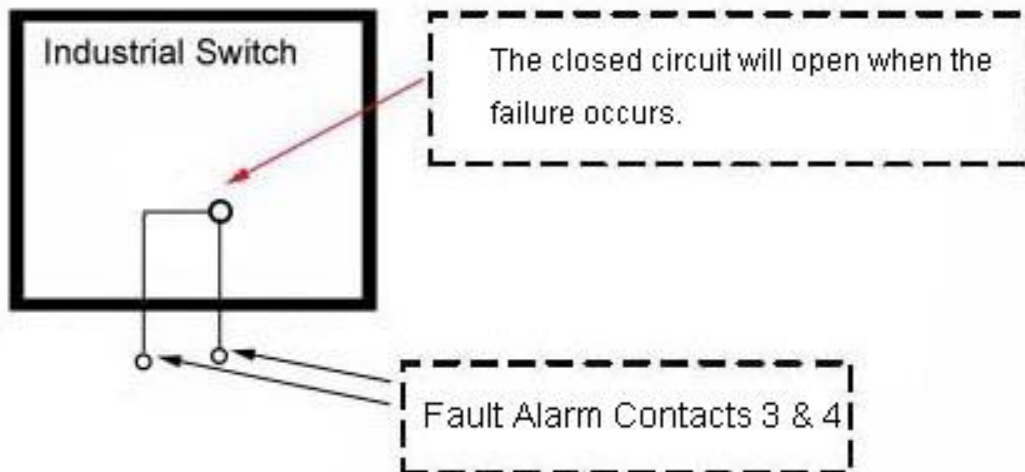
2.5. Wiring the Fault Alarm Contact

The fault alarm contacts are in the middle of the terminal block connector as the picture shows below. Inserting the wires, the device will detect the fault status of the power failure, or port link failure (available for managed model) and then forms an open circuit. The following illustration shows an application example for wiring the fault alarm contacts.



Insert the wires into the fault alarm contacts

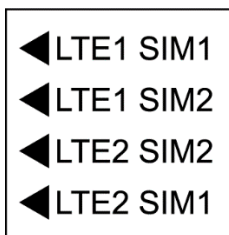
[NOTE] The wire gauge for the terminal block should be in the range between 12 ~ 24 AWG.



2.6. Cabling

- Use four twisted-pair, Category 5e or above cabling for RJ-45 port connection. The cable between the switch and the link partner (switch, hub, workstation, etc.) must be less than 100 meters (328 ft.) long.

2.7. SIM



1. Turn off power of the device.
2. Use a screwdriver to loosen the screws and remove the SIM card cover..
3. Insert one or two 3G/4G SIM cards into the SIM card slots in the correct orientation and located on the bottom of the SIM card slot.
4. Turn on power of the device.
5. Reattach the cover

For LTE / LTE1 slot



Insert the SIM card into the SIM card slot with the gold contacts facing down.



Located on the bottom of the SIM card slot.

For LTE2 slot



Insert the SIM card into the SIM card slot with the gold contacts facing up.

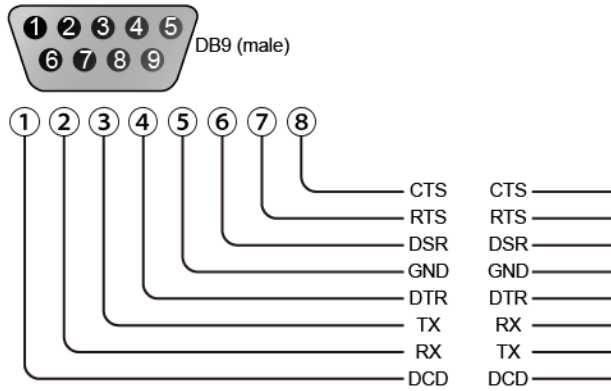


Located on the bottom of the SIM card slot.

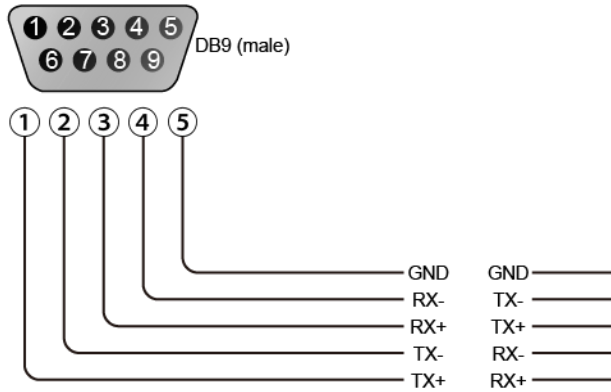
2.8. Serial Ports

Connect the DB9 connector with RS232/RS422/RS485 cable with the following PIN assignment.

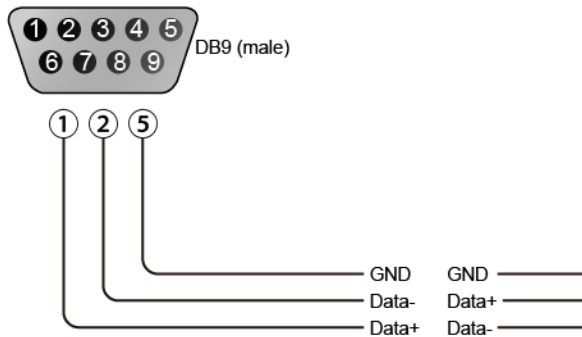
PIN Assignment of RS232



PIN Assignment of RS-422



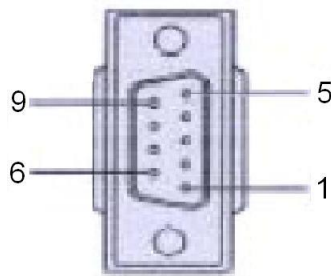
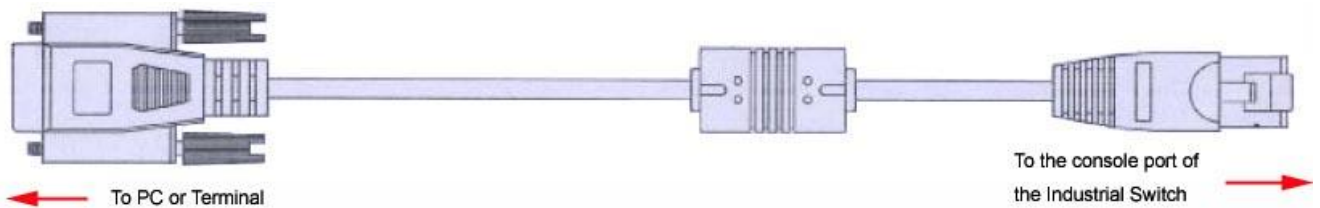
PIN Assignment of RS-485



3. Console Management

3.1. Connecting to the Console Port

The supplied cable which one end is RS-232 connector and the other end is RJ-45 connector. Attach the end of RS-232 connector to PC or terminal and the other end of RJ-45 connector to the console port of the device. The connected terminal or PC must support the terminal emulation program.



DB 9-pin Female

DB9 Connector	RJ-45 Connector
NC	1 Orange/White
2	2 Orange
3	3 Green/White
NC	4 Blue
5	5 Blue/White
NC	6 Green
NC	7 Brown/White
NC	8 Brown

Pin assignment

3.2. Login in the Console Interface

When the connection between Device and PC is ready, turn on the PC and run a terminal emulation program or **Hyper Terminal** and configure its **communication parameters** to match the following default characteristics of the console port:

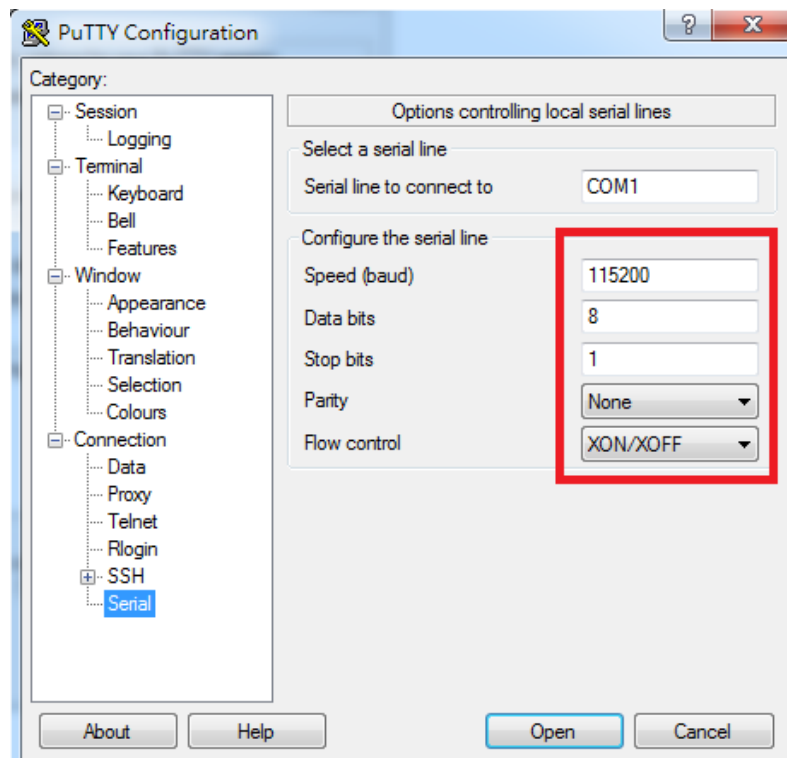
Baud Rate:115200 bps

Data Bits: 8

Parity: none

Stop Bit: 1

Flow control: None



The settings of communication parameters

Having finished the parameter settings, click '**OK**'. When the blank screen shows up, press Enter key to have the login prompt appears. Key in '**admin**' (default value) for both User name and Password (use **Enter** key to device), then press Enter and the Main Menu of console management appears. Please see below figure for login screen.

```
User Name : admin
Password  : ****
```

Console login interface

=====Notice=====

For web-based management, please refer to our “Software Management Manual”.
Please contact support@lantechcom.tw for more information.